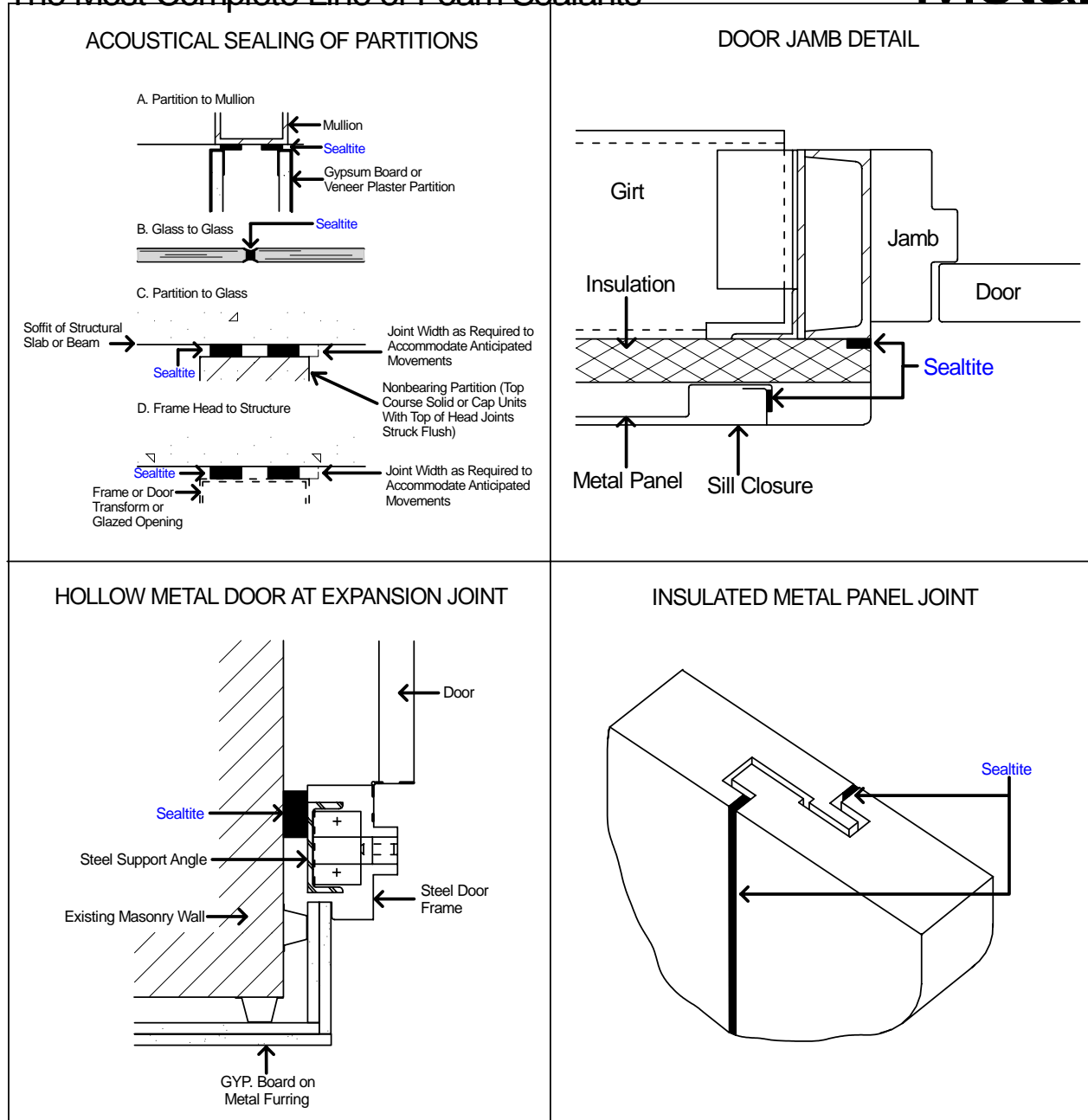


# Sealtite™

The Most Complete Line of Foam Sealants

# Metal



Details shown are conceptual only. Except for pre-compressed sealants, Sealtite shall have no liability or responsibility for materials, methods or assemblies used. Such use shall be solely at the discretion of the user.

Sealtite  
 One Industrial Drive  
 Pelham, NH 03076  
 Fax: 800-998-9105

1-800-848-1120  
[www.sealtiteusa.com](http://www.sealtiteusa.com)