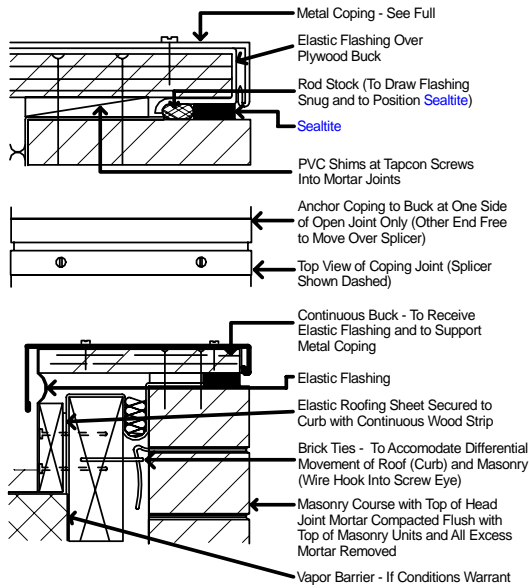


Sealtite™

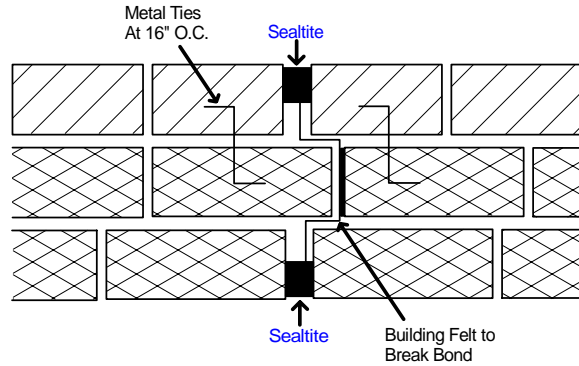
The Most Complete Line of Foam Sealants

Masonry

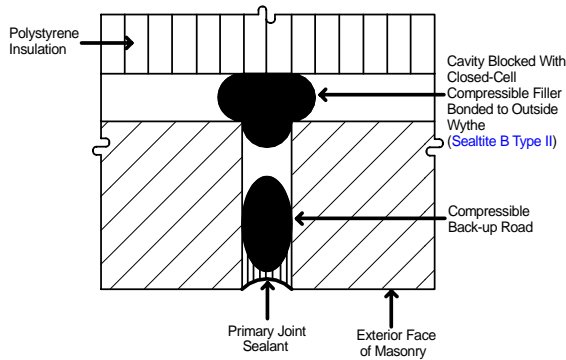
JOINING OF ELASTIC FLASHING TO MASONRY



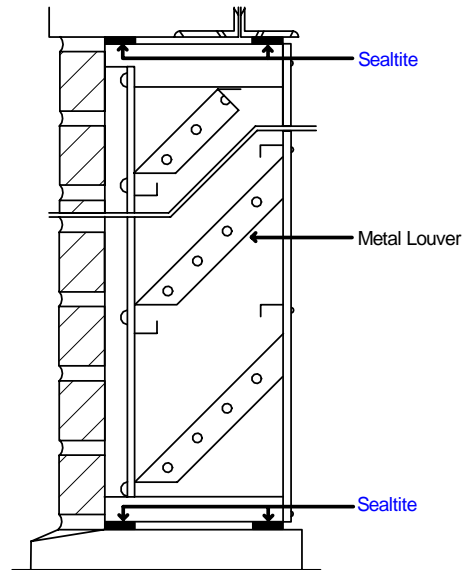
JOINT EXPANSION IN A STRAIGHT WALL



MASONRY CONTROL JOINT



MASONRY DETAILS



Details shown are conceptual only. Except for pre-compressed sealants, Sealtite shall have no liability or responsibility for materials, methods or assemblies used. Such use shall be solely at the discretion of the user.

Sealtite
One Industrial Drive
Pelham, NH 03076
Fax: 800-998-9105

1-800-848-1120

www.sealtiteusa.com