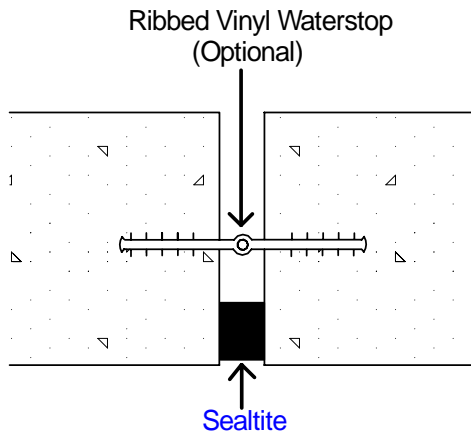


Sealtite™

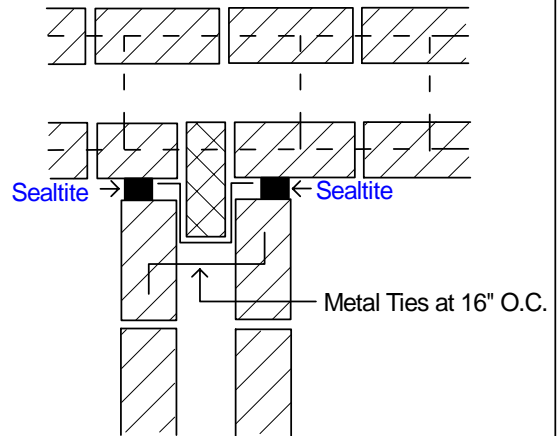
The Most Complete Line of Foam Sealants

Masonry

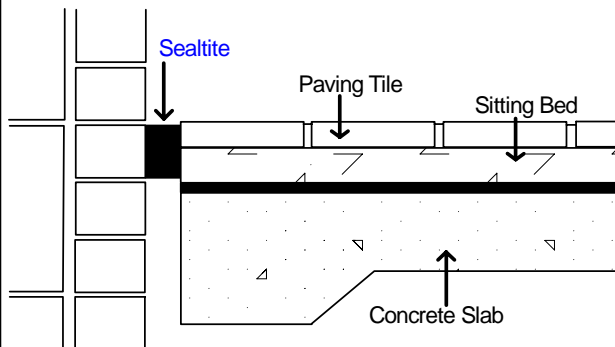
FOUNDATION JOINT WITH WATERSTOP



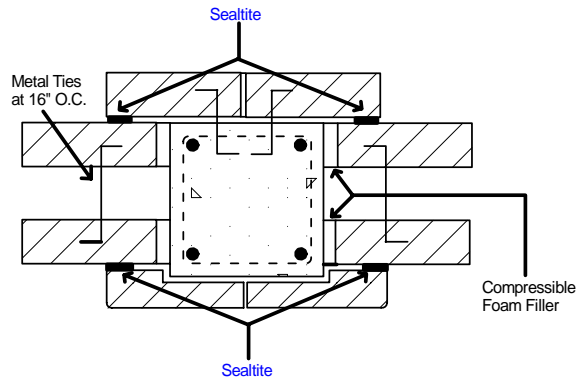
ISOLATION JOINT AT A ONE WAY WALL JUNCTURE



ISOLATION JOINTS



ISOLATION JOINTS AT A CONCEALED COLUMN



Details shown are conceptual only. Except for pre-compressed sealants, Sealtite shall have no liability or responsibility for materials, methods or assemblies used. Such use shall be solely at the discretion of the user.

Sealtite
One Industrial Drive
Pelham, NH 03076
Fax: 800-998-9105

1-800-848-1120

www.sealtiteusa.com